



GENUINE PARTS

INSTALLATION INSTRUCTIONS

DESCRIPTION:	Moonroof Wind Deflector
APPLICATION:	Nissan Altima

PART NUMBER:	999D4 UZ000
---------------------	-------------

KIT CONTENTS:

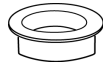
Item	Qty.	Description	Service Part Number
A	1	Deflector	
B	4	Screw	
C	4	Washer	
D	4	Nuts	
E	2	Side Bracket	
F	2	Front Bracket	
G	4	Protective Tape	
H	1	Installation Instructions Replacement Template	



A



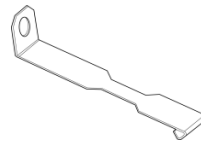
B



C



D



E



F



G



H

TOOLS REQUIRED:

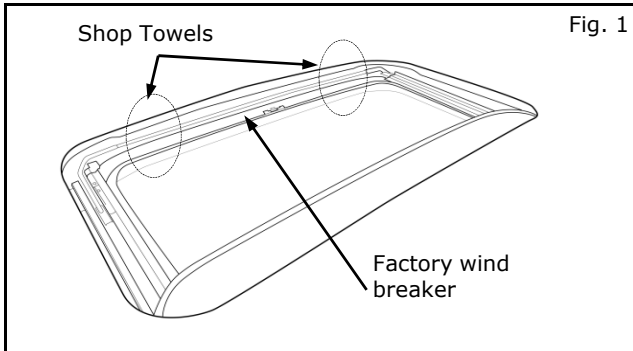
- Rubbing Alcohol (90% or greater)
- #2 Phillips Head Screw Driver
- Car Wash Supplies
- Measuring Tape or Scale
- Felt Tip Pen
- Masking Tape
- Shop Towels
- 10mm Wrench

PRE-INSTALLATION WARNINGS, CAUTIONS, CRITICAL STEPS, and NOTES:

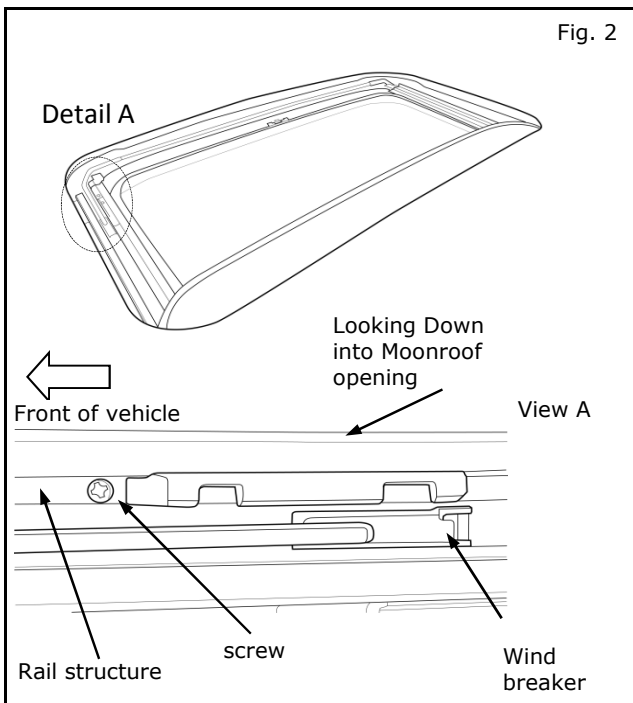
- To avoid damaging the surface, never use ammonia-based cleaners or solvents to clean your moonroof deflector.
- Clean moonroof deflector with a solution of mild dishwashing soap and water using a soft cloth or chamois.
- To remove fine scratches and restore the original luster, use a high quality plastic cleaner.

INSTALLATION PROCEDURE:

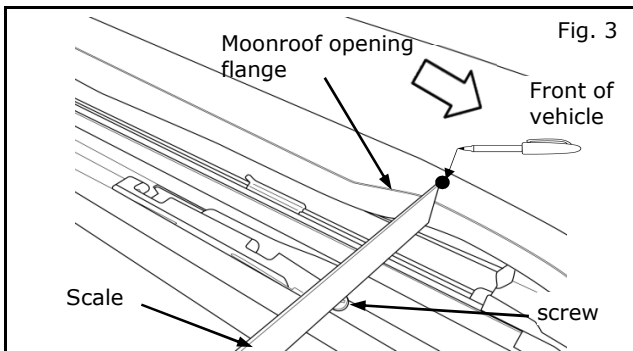
- 1) Open moonroof.
- 2) Clean roof installation area.
- 3) Clean inner edge (flange) of moonroof opening using rubbing alcohol and shop towel.



- 4) Push factory wind breaker down and insert shop towels to hold it in place.



- 5) Locate small screw on rail structure near wind breaker hinge on drivers side.



- 6) Hold scale perpendicular to moonroof opening flange at center of screw and mark a dot on flange using felt tip pen.

INSTALLATION PROCEDURE: (continued)

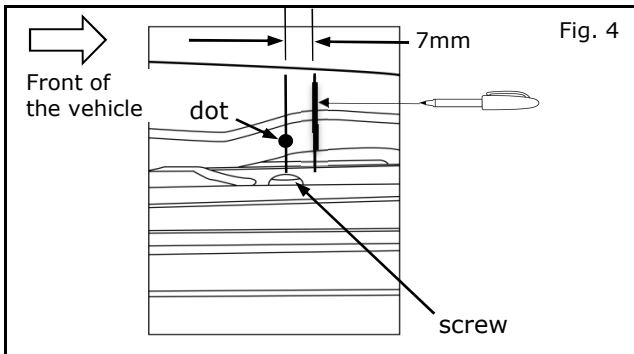


Fig. 4

7) Draw a line 7mm forward of dot.

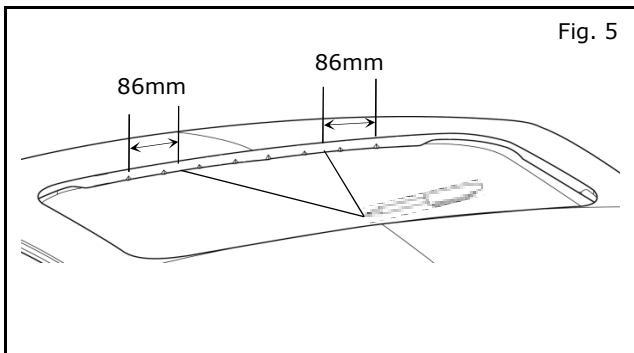


Fig. 5

8) Measure 86mm from outer most darts as shown and mark moonroof opening flange.

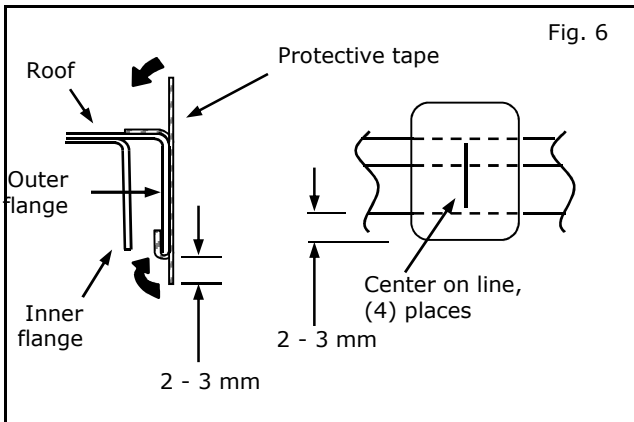


Fig. 6

10) Center protective tape on lines at (4) locations.

NOTE:
Make sure protective tape is smooth and free of wrinkles.

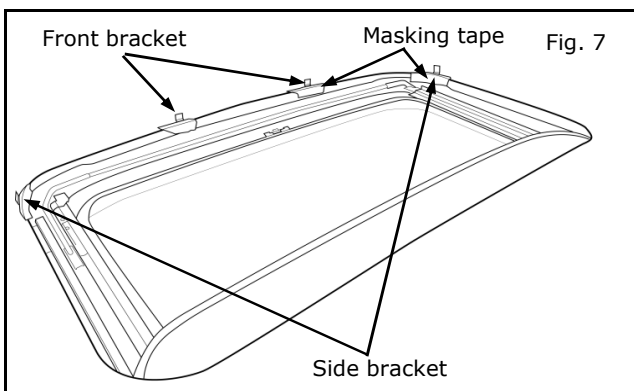
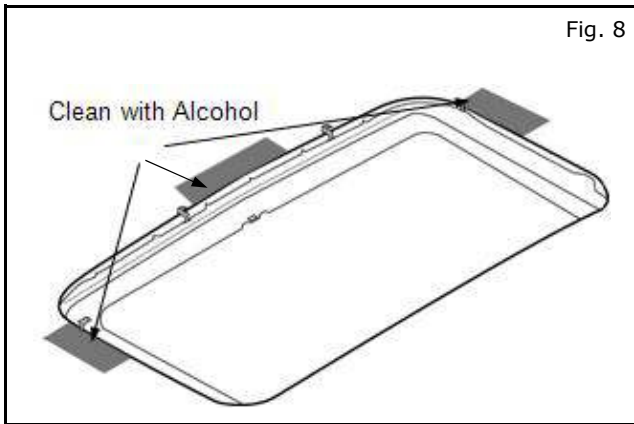


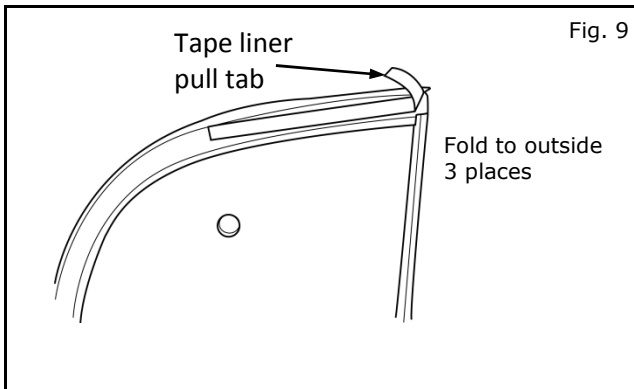
Fig. 7

11) Center brackets on protective film tape and secure in place with masking tape.

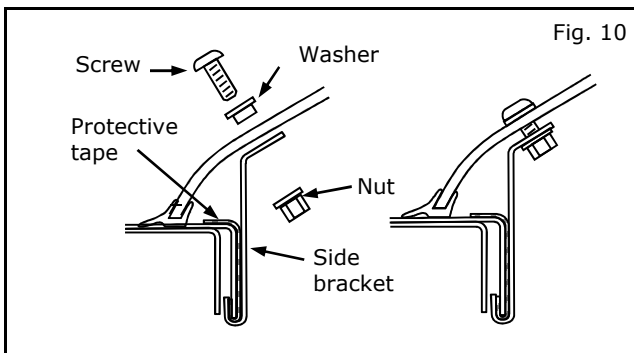
INSTALLATION PROCEDURE (continued):



- 12) Clean areas shown using rubbing alcohol 90 % or greater.
NOTE: Allow enough time for alcohol to evaporate.

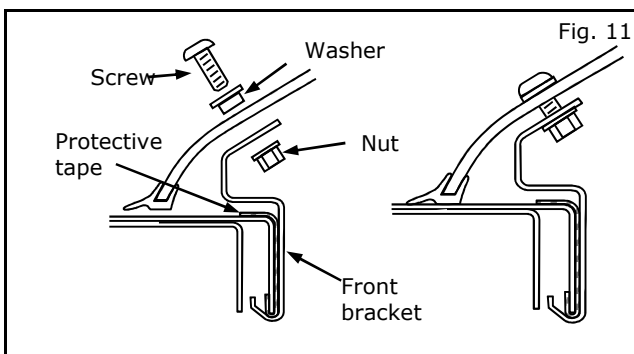


- 13) Fold tape liner pull tabs to outside of deflector and tape in place.
NOTE: Ensure that adhesive tape under liner is not yet exposed.



- 14) Set deflector on roof and align deflector holes with bracket holes.

- 15) Starting with side brackets, install flange bushing and screw through deflector and bracket, loosely install nut.



- 16) Repeat step 18 for front brackets.

INSTALLATION PROCEDURE (continued):

17) Remove masking tape from brackets and discard.

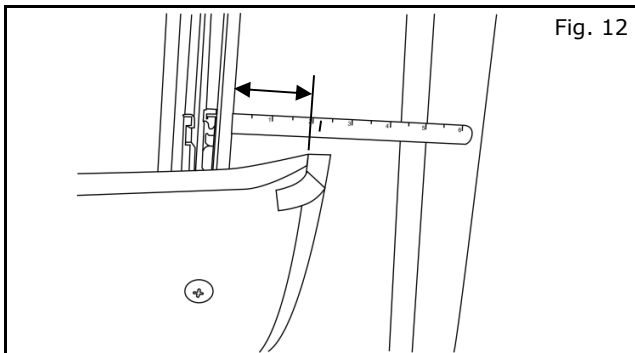


Fig. 12

18) Verify with scale that deflector is located evenly on both sides of opening.

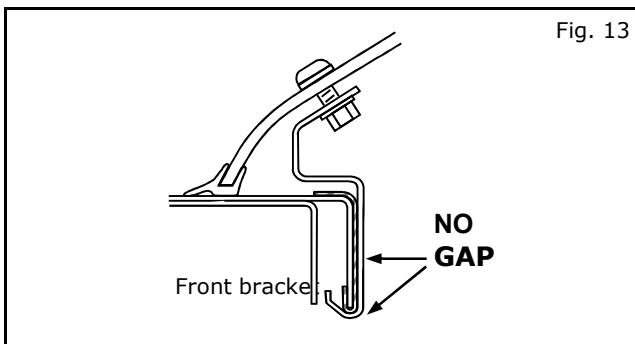


Fig. 13

19) Push deflector forward to eliminate any gap between front brackets and flange.

CAUTION

Leaving air gap between brackets and flange can cause wind noise issues. Confirm there is no gap between brackets and flange. If there is any gap, adjust deflector and side brackets forward to eliminate gap.

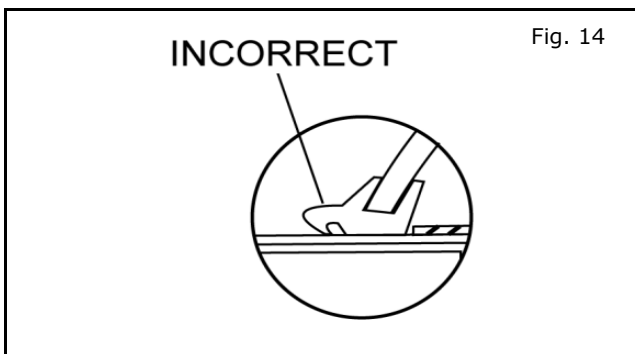


Fig. 14

20) Check that rubber seal is not twisted or rolled under deflector. If necessary, slide a credit card under rubber seal and remove to straighten it.

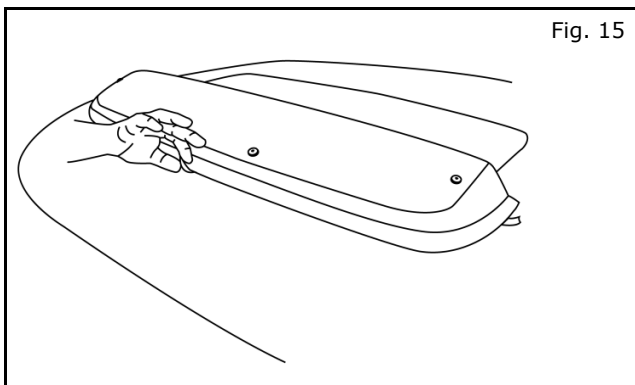
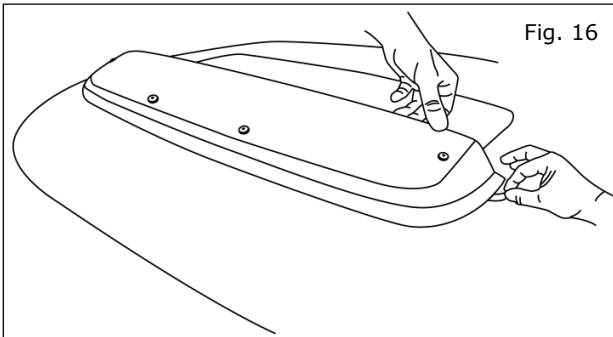


Fig. 15

21) Pull tape liner of center tape.

INSTALLATION PROCEDURE (continued):



22) Fully tighten front bracket screws.

NOTE: To prevent damage to nylon nuts, do not overtighten.

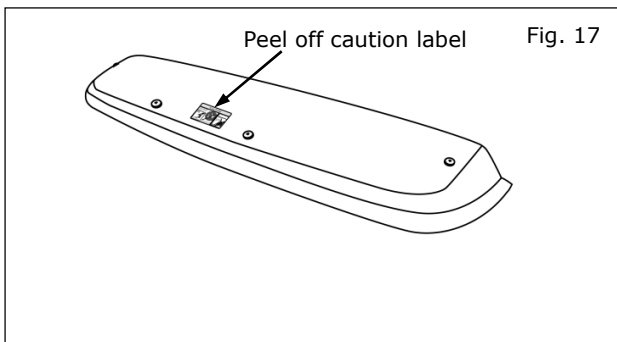
23) Carefully lift rear of moonroof deflector and pull out tape liners at both sides.

NOTE: Take care not to cause any gaps between brackets and roof flange.

24) Fully tighten side bracket screws.

NOTE: To prevent damage to nylon nuts, do not overtighten.

25) Remove shop towels holding factory wind breaker down and close moonroof.



26) Peel off and discard "Caution Label" attached to top surface of deflector.

CHECKLIST:

Prior to completion, verify the following:

- Rubber seal is not rolled under deflector.
- Close moonroof to confirm it operates normally.